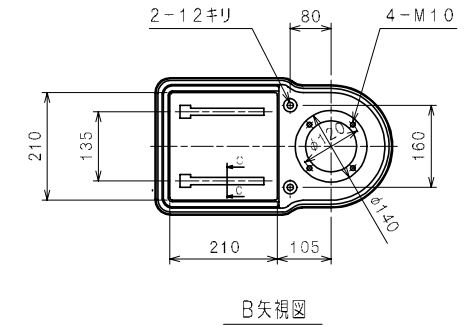
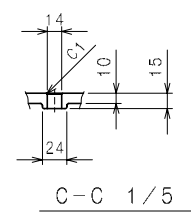
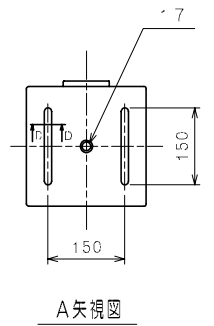
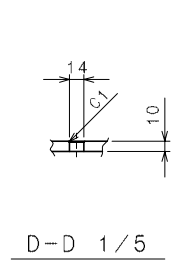
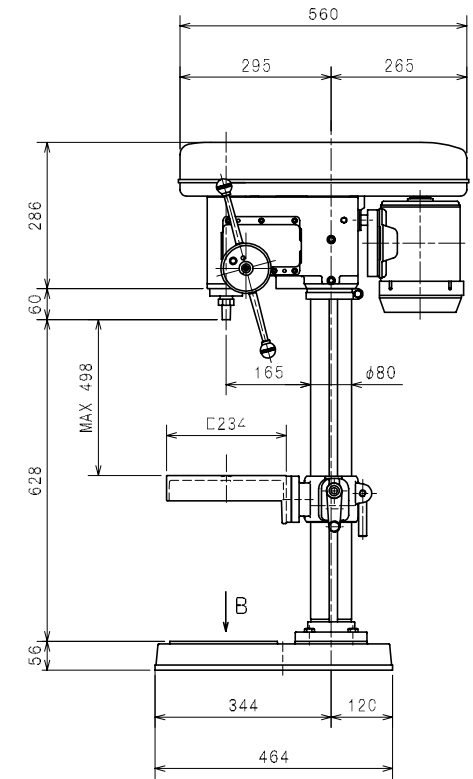
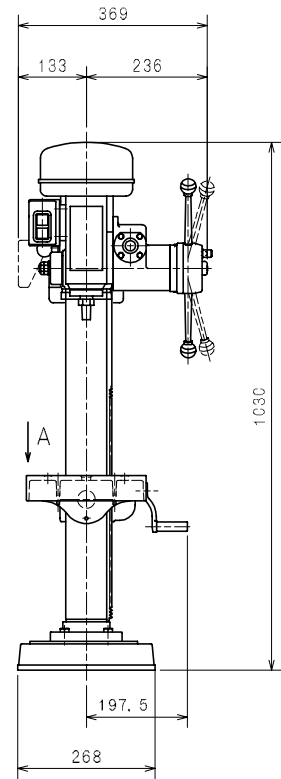


| | | | | | | | | | |
|----|----|-----|---|----|-----|-----|------|------|------|
| 区分 | 以下 | 0.5 | 3 | 6 | 30 | 120 | 400 | 1000 | 2000 |
| 寸数 | 以下 | 3 | 6 | 30 | 120 | 400 | 1000 | 2000 | 4000 |
| 寸数 | 以下 | 3 | 6 | 30 | 120 | 400 | 1000 | 2000 | 4000 |
| 寸数 | 以下 | 3 | 6 | 30 | 120 | 400 | 1000 | 2000 | 4000 |
| 寸数 | 以下 | 3 | 6 | 30 | 120 | 400 | 1000 | 2000 | 4000 |
| 寸数 | 以下 | 3 | 6 | 30 | 120 | 400 | 1000 | 2000 | 4000 |
| 寸数 | 以下 | 3 | 6 | 30 | 120 | 400 | 1000 | 2000 | 4000 |
| 寸数 | 以下 | 3 | 6 | 30 | 120 | 400 | 1000 | 2000 | 4000 |
| 寸数 | 以下 | 3 | 6 | 30 | 120 | 400 | 1000 | 2000 | 4000 |
| 寸数 | 以下 | 3 | 6 | 30 | 120 | 400 | 1000 | 2000 | 4000 |



| | | | | | | | | | | | |
|----|------|---|-----|----|------|------|--------------------------------------|----------|----------|-------------|---------|
| 符号 | 変更事項 | 数 | 年月日 | 担当 | 設変番号 | 表面処理 | 照査 | 設計 | 製図 | 型式 | 個数 QTY. |
| | | | | | | 熱処理 | CHECKED | DESIGNED | DRAWN | TYPE | |
| | | | | | | 焼入硬度 | | 98.4.8 | 05.04.24 | 品名 | |
| | | | | | | | 株式会社 キラ・コーポレーション KIRA CORPORATION | | | 品番 | |
| | | | | | | | | | | DRAWING NO. | |
| | | | | | | | | | | 品名 | |
| | | | | | | | | | | NAME | |
| | | | | | | | | | | 品番 | |
| | | | | | | | | | | DRAWING NO. | |
| | | | | | | | | | | 品名 | |
| | | | | | | | | | | NAME | |
| | | | | | | | | | | 品番 | |
| | | | | | | | | | | DRAWING NO. | |
| | | | | | | | | | | 品名 | |
| | | | | | | | | | | NAME | |
| | | | | | | | | | | 品番 | |
| | | | | | | | | | | DRAWING NO. | |
| | | | | | | | | | | 品名 | |
| | | | | | | | | | | NAME | |
| | | | | | | | | | | 品番 | |
| | | | | | | | | | | DRAWING NO. | |
| | | | | | | | | | | 品名 | |
| | | | | | | | | | | NAME | |
| | | | | | | | | | | 品番 | |
| | | | | | | | | | | DRAWING NO. | |
| | | | | | | | | | | 品名 | |
| | | | | | | | | | | NAME | |
| | | | | | | | | | | 品番 | |
| | | | | | | | | | | DRAWING NO. | |
| | | | | | | | | | | 品名 | |
| | | | | | | | | | | NAME | |
| | | | | | | | | | | 品番 | |
| | | | | | | | | | | DRAWING NO. | |
| | | | | | | | | | | 品名 | |
| | | | | | | | | | | NAME | |
| | | | | | | | | | | 品番 | |
| | | | | | | | | | | DRAWING NO. | |
| | | | | | | | | | | 品名 | |
| | | | | | | | | | | NAME | |
| | | | | | | | | | | 品番 | |
| | | | | | | | | | | DRAWING NO. | |
| | | | | | | | | | | 品名 | |
| | | | | | | | | | | NAME | |
| | | | | | | | | | | 品番 | |
| | | | | | | | | | | DRAWING NO. | |
| | | | | | | | | | | 品名 | |
| | | | | | | | | | | NAME | |
| | | | | | | | | | | 品番 | |
| | | | | | | | | | | DRAWING NO. | |
| | | | | | | | | | | 品名 | |
| | | | | | | | | | | NAME | |
| | | | | | | | | | | 品番 | |
| | | | | | | | | | | DRAWING NO. | |
| | | | | | | | | | | 品名 | |
| | | | | | | | | | | NAME | |
| | | | | | | | | | | 品番 | |
| | | | | | | | | | | DRAWING NO. | |
| | | | | | | | | | | 品名 | |
| | | | | | | | | | | NAME | |
| | | | | | | | | | | 品番 | |
| | | | | | | | | | | DRAWING NO. | |
| | | | | | | | | | | 品名 | |
| | | | | | | | | | | NAME | |
| | | | | | | | | | | 品番 | |
| | | | | | | | | | | DRAWING NO. | |
| | | | | | | | | | | 品名 | |
| | | | | | | | | | | NAME | |
| | | | | | | | | | | 品番 | |
| | | | | | | | | | | DRAWING NO. | |
| | | | | | | | | | | 品名 | |
| | | | | | | | | | | NAME | |
| | | | | | | | | | | 品番 | |
| | | | | | | | | | | DRAWING NO. | |
| | | | | | | | | | | 品名 | |
| | | | | | | | | | | NAME | |
| | | | | | | | | | | 品番 | |
| | | | | | | | | | | DRAWING NO. | |
| | | | | | | | | | | 品名 | |
| | | | | | | | | | | NAME | |
| | | | | | | | | | | 品番 | |
| | | | | | | | | | | DRAWING NO. | |
| | | | | | | | | | | 品名 | |
| | | | | | | | | | | NAME | |
| | | | | | | | | | | 品番 | |
| | | | | | | | | | | DRAWING NO. | |
| | | | | | | | | | | 品名 | |
| | | | | | | | | | | NAME | |
| | | | | | | | | | | 品番 | |
| | | | | | | | | | | DRAWING NO. | |
| | | | | | | | | | | 品名 | |
| | | | | | | | | | | NAME | |
| | | | | | | | | | | 品番 | |
| | | | | | | | | | | DRAWING NO. | |
| | | | | | | | | | | 品名 | |
| | | | | | | | | | | NAME | |
| | | | | | | | | | | 品番 | |
| | | | | | | | | | | DRAWING NO. | |
| | | | | | | | | | | 品名 | |
| | | | | | | | | | | NAME | |
| | | | | | | | | | | 品番 | |
| | | | | | | | | | | DRAWING NO. | |
| | | | | | | | | | | 品名 | |
| | | | | | | | | | | NAME | |
| | | | | | | | | | | 品番 | |
| | | | | | | | | | | DRAWING NO. | |
| | | | | | | | | | | 品名 | |
| | | | | | | | | | | NAME | |
| | | | | | | | | | | 品番 | |
| | | | | | | | | | | DRAWING NO. | |
| | | | | | | | | | | 品名 | |
| | | | | | | | | | | NAME | |
| | | | | | | | | | | 品番 | |
| | | | | | | | | | | DRAWING NO. | |
| | | | | | | | | | | 品名 | |
| | | | | | | | | | | NAME | |
| | | | | | | | | | | 品番 | |
| | | | | | | | | | | DRAWING NO. | |
| | | | | | | | | | | 品名 | |
| | | | | | | | | | | NAME | |
| | | | | | | | | | | 品番 | |
| | | | | | | | | | | DRAWING NO. | |
| | | | | | | | | | | 品名 | |
| | | | | | | | | | | NAME | |
| | | | | | | | | | | 品番 | |
| | | | | | | | | | | DRAWING NO. | |
| | | | | | | | | | | 品名 | |
| | | | | | | | | | | NAME | |
| | | | | | | | | | | 品番 | |
| | | | | | | | | | | DRAWING NO. | |
| | | | | | | | | | | 品名 | |
| | | | | | | | | | | NAME | |
| | | | | | | | | | | 品番 | |
| | | | | | | | | | | DRAWING NO. | |
| | | | | | | | | | | 品名 | |
| | | | | | | | | | | NAME | |
| | | | | | | | | | | 品番 | |
| | | | | | | | | | | DRAWING NO. | |
| | | | | | | | | | | 品名 | |
| | | | | | | | | | | NAME | |
| | | | | | | | | | | 品番 | |
| | | | | | | | | | | DRAWING NO. | |
| | | | | | | | | | | 品名 | |
| | | | | | | | | | | NAME | |
| | | | | | | | | | | 品番 | |
| | | | | | | | | | | DRAWING NO. | |
| | | | | | | | | | | 品名 | |
| | | | | | | | | | | NAME | |
| | | | | | | | | | | 品番 | |
| | | | | | | | | | | DRAWING NO. | |
| | | | | | | | | | | 品名 | |
| | | | | | | | | | | NAME | |
| | | | | | | | | | | 品番 | |
| | | | | | | | | | | DRAWING NO. | |
| | | | | | | | | | | 品名 | |
| | | | | | | | | | | NAME | |
| | | | | | | | | | | 品番 | |
| | | | | | | | | | | DRAWING NO. | |
| | | | | | | | | | | 品名 | |
| | | | | | | | | | | NAME | |
| | | | | | | | | | | 品番 | |
| | | | | | | | | | | DRAWING NO. | |
| | | | | | | | | | | 品名 | |
| | | | | | | | | | | NAME | |
| | | | | | | | | | | 品番 | |
| | | | | | | | | | | DRAWING NO. | |
| | | | | | | | | | | 品名 | |
| | | | | | | | | | | NAME | |
| | | | | | | | | | | 品番 | |
| | | | | | | | | | | DRAWING NO. | |
| | | | | | | | | | | 品名 | |
| | | | | | | | | | | NAME | |
| | | | | | | | | | | | |